
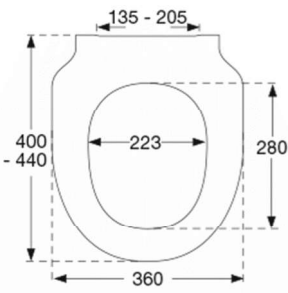
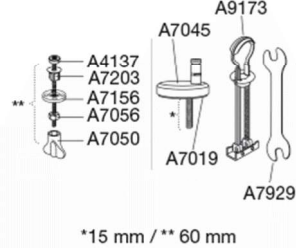
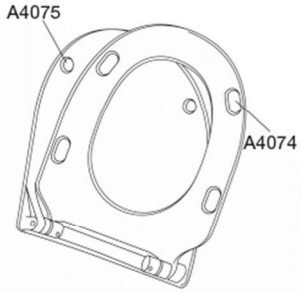


**Pressalit 300 Slim 1012**  
**Standard toilet seat incl. hinge in stainless steel**

|  |   |
|--|---|
| <p><b>Item number</b></p> <p><b>Colour</b></p> <p><b>Description</b></p>   | <p>1012000-DG6999<br/>EAN:5708590349183</p> <p>Pressalit 300 Slim features an attractive minimalist design. Is designed specially for Sphinx 300.</p> <p>White</p> <p>PRESSALIT toilet seat with cover, model "Pressalit 300 Slim", art.no. 1012 made of colour ingrained duroplast incl. DG6 combi hinge, universal.</p> <ul style="list-style-type: none"> <li>- centre distance: 135-205 mm</li> <li>- load - ring seat 240 kg</li> <li>- 10 year guarantee</li> </ul>     |
| <p><b>Design type</b></p> <p><b>Designer</b></p> <p><b>Design year</b></p> | <p>Sandwich</p> <p>Pressalit</p> <p>2017</p>  |
| <p><b>Materials</b></p> <p><b>Maximum load</b></p>                         | <p><b>TOILET SEAT:</b><br/>The material is colour ingrained duroplast (UF A 10 = urea formaldehyde) that contains no environmentally hazardous substances. UF plastic comprises 67% urea formaldehyde resin, 28% cellulose, as well as 5% minerals, pigments, lubricants and moisture content. The raw material from the supplier contains up to 0.03% free formaldehyde and even less following curing.</p> <p><b>BUFFERS:</b><br/>EVA (copolymer made of ethylene and vinyl acetate).</p> <p><b>DAMPER KIT (only relevant for toilet seats with soft close):</b><br/>Hydraulic damper with stainless steel damper casing and thermoplastic parts.</p> <p><b>MOUNT/HINGES:</b><br/>Stainless steel model W. no. 1.4301/M and thermoplastic.</p> <p>Load - ring seat 240 kg</p>   |